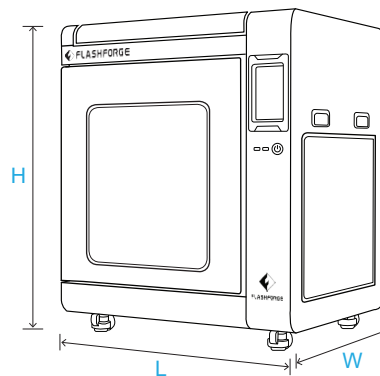
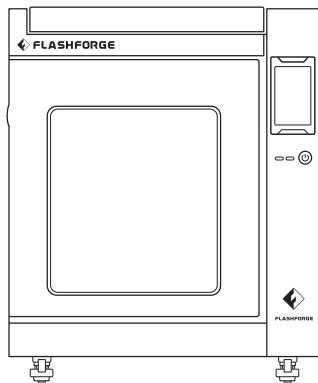


Request a quote or contact us for a recommendation on choosing the right printer for you at [sales@flashforge-usa.com](mailto:sales@flashforge-usa.com)

# Specifications

## Creator 4-S / Creator 4-A



### Printer Dimensions

- Length: 840 mm (33.1")
- Width: 675 mm (26.6")
- Height: 1000 mm (39.4")
- Weight: 90 kg (198.42 lbs.)

<b>3D Printing Technology</b>	FFF (Fused Filament Fabrication)	
<b>Extruder system</b>	IIDEX (Interchangeable Independent Dual Extruder)	
<b>Printing volume</b>	400 x 350 x 500 mm (15.7 x 13.8 x 19.7 in)	
<b>Printing Modes</b>	Duplicate Mode / Dual Color Mode / Mirror Mode / Support Mode	
	<b>Creator 4-S</b>	<b>Creator 4-A</b>
<b>Number of extruders</b>	•2 Extruder-HS •2 Extruder-HT	2 Extruder-HT
<b>Extruder maximum temperature</b>	•HS: 360°C •HT: 320°C	320°C
<b>Maximum print speed</b>	•HS: 150mm/s •HT: 200mm/s	200mm/s
<b>Nozzle diameter</b>	0.4 (default) / 0.6 / 0.8 mm	0.4 (default) / 0.6 / 0.8 mm
<b>Filament diameter</b>	1.75 mm	1.75 mm
<b>Compatible filaments</b>	<ul style="list-style-type: none"> <li>•HS: PA-CF, PET-CF, PP-CF, PA-GF, PC-ABS, PP-GF, PPS-CF, PPS</li> <li>•HT: PLA, PETG, PC-ABS, PAHT, ABS, ASA, PP, PA,PC</li> </ul>	PLA, PETG, PC-ABS, PAHT, ABS, ASA, PP, PA, PC
<b>Build chamber maximum temperature</b>	65°C	
<b>Maximum heated bed temperature</b>	120°C	

Request a quote or contact us for a recommendation on choosing the right printer for you at [sales@flashforge-usa.com](mailto:sales@flashforge-usa.com)



# Specifications

## Creator 4-S / Creator 4-A



<b>Printing Precision</b>	±0.2mm
<b>Open filament system</b>	Yes
<b>Build plate leveling</b>	Auto leveling + Manually leveling(once locked)
<b>Auto leveling (16 point)</b>	Yes
<b>Air filtering</b>	H13 HEPA filter, Active Carbon filter
<b>Connectivity</b>	Wi-Fi / Ethernet / USB Drive
<b>Screen</b>	7- inch IPS touchscreen
<b>Printer Dimensions</b>	840(L) x 675(W) x 1000(H) mm, (33.1 x 26.6 x 39.4 in)
<b>Printer weight</b>	90 kg (198.42 lbs.)
<b>Shipping box dimensions</b>	990(L) x 820(W) x 1260(H) mm, (39 x 32.3 x 49.6 in)
<b>Shipping weight</b>	130 kg (286.60 lbs.)
<b>Power</b>	2320 W
<b>Input</b>	AC 100-130V / 200-240V; 50-60Hz
<b>Auto power off setting</b>	Power turns off automatically after print job completed 5 minutes
<b>Software</b>	FlashPrint
<b>File Input Format</b>	3MF / STL / OBJ / FPP / BMP / PNG / JPEG File
<b>Operating Systems</b>	Windows 7 / 8 / 10, Mac OS, and Linux

FLASHFORGE USA  
Email: [sales@flashforge-usa.com](mailto:sales@flashforge-usa.com)  
Tel: 1.626.322.3855  
17747 Railroad St., City of Industry, CA 91748, USA